

BAEN-16DI

EXTENSION IO MODULE

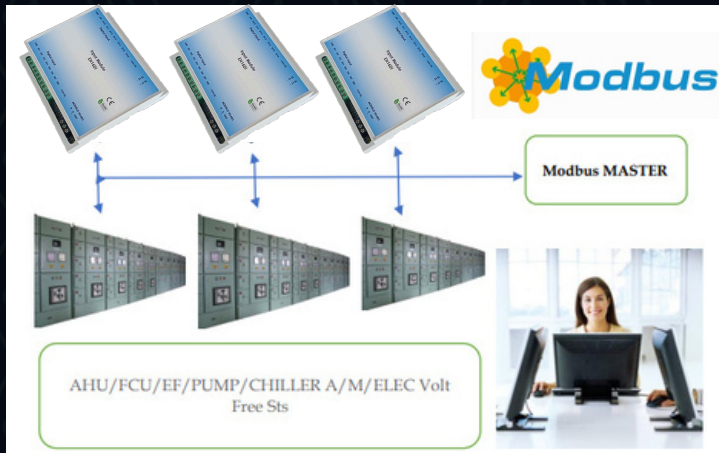
Processing Digital Input Signal Easy integration of I/O-system in on-site processes. Customer specific configuration of I/O-module onrequest (inputs and/or outputs).. □ Modbus RS-485 protocol interface



TECHNICAL SPECIFICATION

- Digital Input: Volt Free Contact
- Communication: Modbus RS485
- Operating Temp: 0-50 DegC
- Operating Humidity: 0-95% RH
- Mounting : Dinrail
- Dimension:110 x 100x 60mm
- Casing: ABS

SYSTEM ARCHITECTURE (BMSDDCBAEN-16DI)



SYSTEM REQUIREMENTS

- IO Modules can be commissioned using Modbus Master (Modscan) via serial or BMSENCPU3PG1 via IP without programming knowlegde.
- **Mounting:** DIN RAIL
- **Operating Voltage:** 24 V AC/DC
- Modscan or Modbus Master Utility Software for Commissioning
- USB to RS485 or Modbus Gateway/Modbus Master for Integrating IO Module

Easy to Use:

Since Modules are Modbus RS485 Communication ,so this Module can be used as Extension module and above Application system can be easily integarted

TECHNICAL FEATURES:

- No Configuration required
- Easily Integration to BMSENCPU2PG1 or any Third party Modbus Master

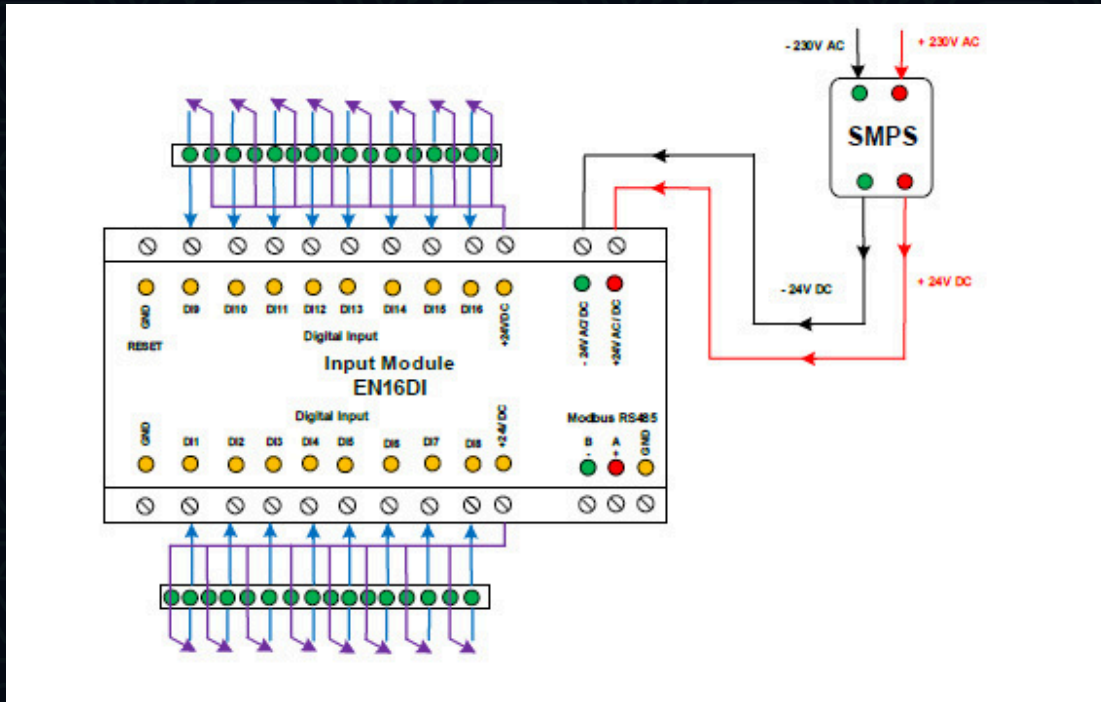
ZERO MINIMAL DOWN TIME:

- Incase of failure of IO Module, We can replace IO module on immediate , System can be retained without any additional proگرامing skill.

TURNKEY SOLUTION :

- Modules are modular concept, We can able to design and multiply turnkey projects using this modular IO Modules.

WIRING DIAGRAM BAEN-16DI



WHY CHOOSE US

We have the solution for you! By featuring seamless and adaptive, vendor-neutral, open-protocol solutions in building automation, be it for maintenance, retrofits or upgrades.

16DI ADDRESS DETAILS

S.No	I/O Points	Modbus Address	Modbus Type
1	DI-1	10001	INPUT STATUS
2	DI-2	10002	INPUT STATUS
3	DI-3	10003	INPUT STATUS
4	DI-4	10004	INPUT STATUS
5	DI-5	10005	INPUT STATUS
6	DI-6	10006	INPUT STATUS
7	DI-7	10007	INPUT STATUS
8	DI-8	10008	INPUT STATUS
9	DI-9	10009	INPUT STATUS
10	DI-10	10010	INPUT STATUS
11	DI-11	10011	INPUT STATUS
12	DI-12	10012	INPUT STATUS
13	DI-13	10013	INPUT STATUS
14	DI-14	10014	INPUT STATUS
15	DI-15	10015	INPUT STATUS
16	DI-16	10016	INPUT STATUS

SERVICES AVAILABLE

- TECHNICAL SUPPORT
- INSTALLATION AND SETUP
- MAINTENANCE
- APPLICATION SUPPORT
- HARDWARE SUPPORT
- WARRANTY

APPROVAL

CE, ROHS



info@omniwot.com

support@omniwot.com

+91 75502 28044

OMNIWOT.COM

Head Office:

OmniWOT Technologies Private Limited, 103, Tower 5, L&T Raintree Boulevard Bellary Road, Byatarayanapura, Bengaluru - 560092, India.

Experience Center :

OmniWOT Technologies Pvt Ltd, Suite 102, 1st Floor, 156/B Muthu Plaza, Sangam Street, Sundarapuram, Coimbatore-641024, Tamil Nadu, India.