

# BAEN-2DI1DO

## EXTENSION IO MODULE

BMSDDC BAEN-2DI1DO

Modbus RS485 Multiple Baud Rate Options Easy Multiplication, Processing Digital Input and Digital Output Signal. Easy integration of I/O-system in on-site processes. Customer specific configuration of I/O-module on request (inputs and/or outputs). Modbus RS-485 protocol interface



### TECHNICAL SPECIFICATION

- Digital Input: Volt Free Contact
- Digital Output: 230V,3 A Relay Output
- Communication: Modbus RS485
- Operating Temp: 0-50 DegC
- Operating Humidity: 0-95% RH
- Mounting : Dinrail
- Dimension:110 x 70x 70mm
- Casing: ABS

### APPLICATION:

- AHU/FCU/EF/PUMP/CHILLE R A/M Sts
- AHU/FCU/EF/PUMP/CHILLE R TRIP Sts
- AHU/FCU/EF/PUMP/CHILLE R RUN Sts
- FILTER STATUS
- SYSTEM COMMAND etc.,

### EASY TO USE:

Since Modules are Modbus RS485 Communication, so this Module can be used as Extension module and above Application system can be easily integrated

### System Architecture (BMSDDC BAEN-2DI1DO)



### TECHNICAL FEATURES:

- No Configuration required
- Easily Integration to BMS ENCPU2PG1 or any Third party Modbus Master

### ZERO MINIMAL DOWN TIME:

- Incase of failure of IO Module, We can replace IO module on immediate, System can be retained without any additional programming skill.

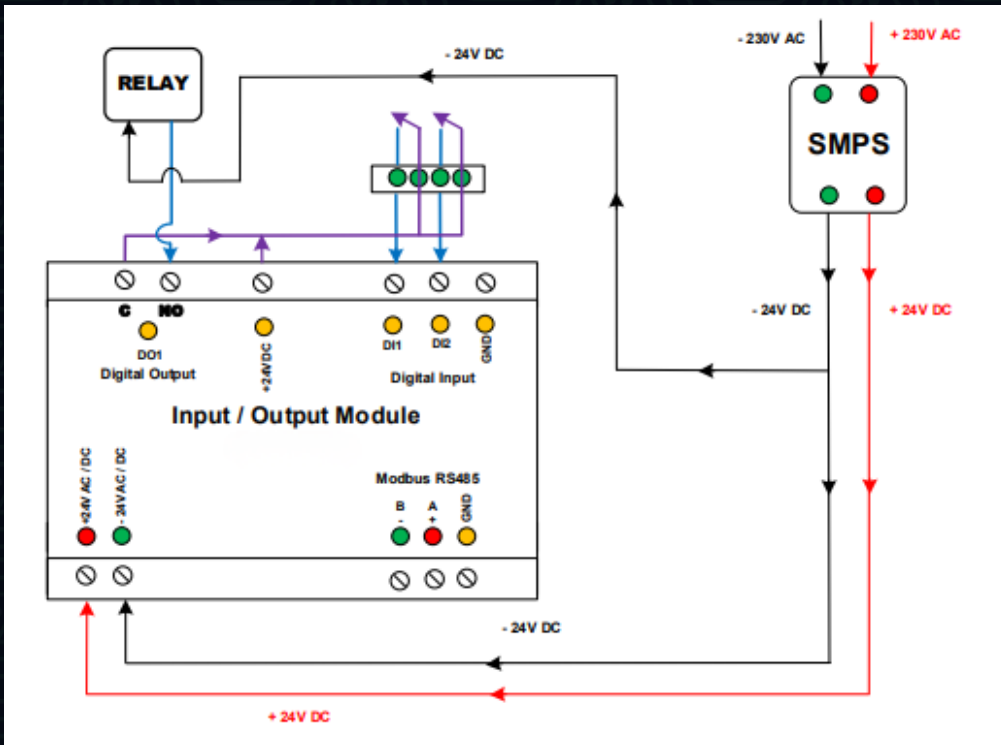
### SYSTEM REQUIREMENTS

- IO Modules can be commissioned using Modbus Master (Modscan) via serial or BMS ENCPU3PG1 via IP without programming knowlegde
- **Mounting:** DIN RAIL
- **Operating Voltage:** 24 V AC/DC
- Modscan or Modbus Master Utility Software for Commissioning
- USB to RS485 or Modbus Gateway/Modbus Master for Integrating IO Module

### TURNKEY SOLUTION :

- Modules are modular concept, We can able to design and multiply turnkey projects using this modular IO Modules.

## WIRING DIAGRAM BAEN-2DI1DO



### WHY CHOOSE US

We have the solution for you! By featuring seamless and adaptive, vendor-neutral, open-protocol solutions in building automation, be it for maintenance, retrofits or upgrades.

### 2DI1DO Address Details

| S.No | I/O Points | Modbus Address | Modbus Type  |
|------|------------|----------------|--------------|
| 1    | DI-1       | 10002          | INPUT STATUS |
| 2    | DI-2       | 10003          | INPUT STATUS |
| 3    | DO-1       | 1              | COIL STATUS  |

### SERVICES AVAILABLE

- TECHNICAL SUPPORT
- INSTALLATION AND SETUP
- MAINTENANCE
- APPLICATION SUPPORT
- HARDWARE SUPPORT
- WARRANTY

### APPROVAL

CE, ROHS



info@omniwot.com

support@omniwot.com

+91 75502 28044

OMNIWOT.COM

#### Head Office:

OmniWOT Technologies Private Limited, 103, Tower 5, L&T Raintree Boulevard Bellary Road, Byatarayanapura, Bengaluru - 560092, India.

#### Experience Center :

OmniWOT Technologies Pvt Ltd, Suite 102, 1st Floor, 156/B Muthu Plaza, Sangam Street, Sundarapuram, Coimbatore-641024, Tamil Nadu, India.