

BAEN-40

EXTENSION IO MODULE

Processing Analog(NTC/0- 10VDC/4-20ma)/Digital Input/Digital Output Signal. Easy integration of I/Osystem in on-site processes. Customer specific configuration of I/O-module onrequest (inputs and/or outputs). Modbus RS-485 protocol interface

TECHNICAL SPECIFICATION

- Analog Output: 4-20ma / 0-10V DC
- Communication: Modbus RS485
- Operating Humidity: 0-95% RH
- Operating Temp: 0-50 DegC
- Mounting : Dinrail
- Dimension:110 x 100x 60mm
- Casing: ABS

APPLICATION:

- AHU VFD Speed Control
- AHU Valve Speed Control
- PUMP VFD Speed Control
- Modulating Damper Speed Control



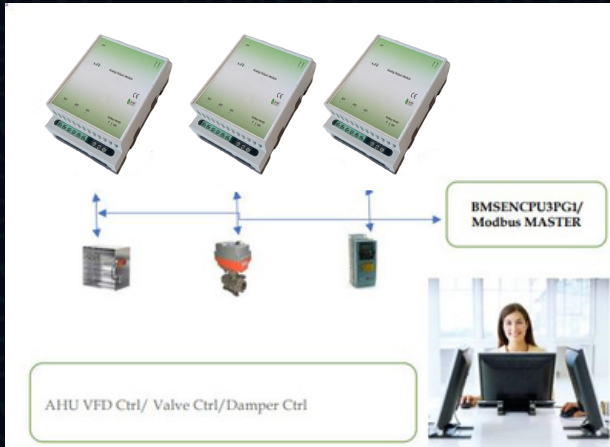
EASY TO USE:

Since Modules are Modbus RS485 Communication ,so this Module can be used as Extension module and above Application system can be easily integarted

TECHNICAL FEATURES:

- No Configuration required
- Easily Integration to BMSENCPU2PG1 or any Third party Modbus Master

SYSTEM ARCHITECTURE (BMSDDCEN4AO)



ZERO MINIMAL DOWN TIME:

- Incase of failure of IO Module, We can replace IO module on immediate , System can be retained without any additional programing skill.

TURNKEY SOLUTION :

- Modules are modular concept, We can able to design and multiply turnkey projects using this modular IO Modules.

AHU SA/RA Temp,CHW Temp/ A/M/ELEC Volt Free Sts/System Command

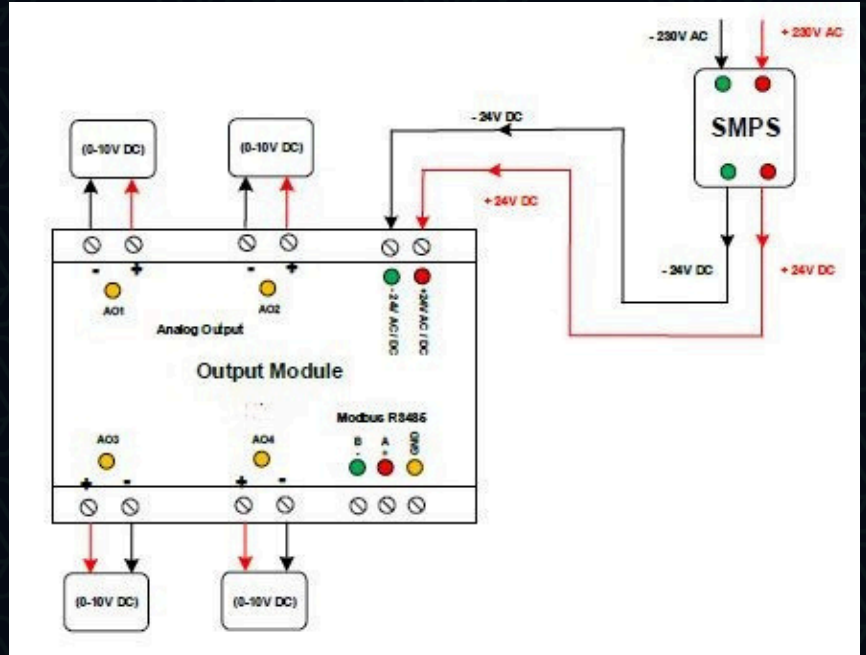
System Requirements

- IO Modules can be commissioned using Modbus Master (Modscan) via serial or BMSENCPU2PG1 via IP without programming knowledge.
- **Mounting:** DIN RAIL
- **Operating Voltage:** 24 V AC/DC
- Modscan or Modbus Master Utility Software for Commissioning
- USB to RS485 or Modbus Gateway/Modbus Master for Integrating IO Module

Why Choose US

We have the solution for you! By featuring seamless and adaptive, vendor-neutral, open-protocol solutions in building automation, be it for maintenance, retrofits or upgrades.

BAEN-40 Wiring Diagram



4AO Address Details

S.No	I/O Points	Modbus Address	Modbus Type
1	AO-1 (0-10V)	40001	HOLDING REGISTER
2	AO-2 (0-10V)	40002	HOLDING REGISTER
3	AO-3 (0-10V)	40003	HOLDING REGISTER
4	AO-4 (0-10V)	40004	HOLDING REGISTER



info@omniwot.com

support@omniwot.com

+91 75502 28044

OMNIWOT.COM

Head Office:

OmniWOT Technologies Private Limited, 103, Tower 5, L&T Raintree Boulevard Bellary Road, Byatarayanapura, Bengaluru - 560092, India.

Experience Center :

OmniWOT Technologies Pvt Ltd, Suite 102, 1st Floor, 156/B Muthu Plaza, Sangam Street, Sundarapuram, Coimbatore-641024, Tamil Nadu, India.

OMNIWOT.COM