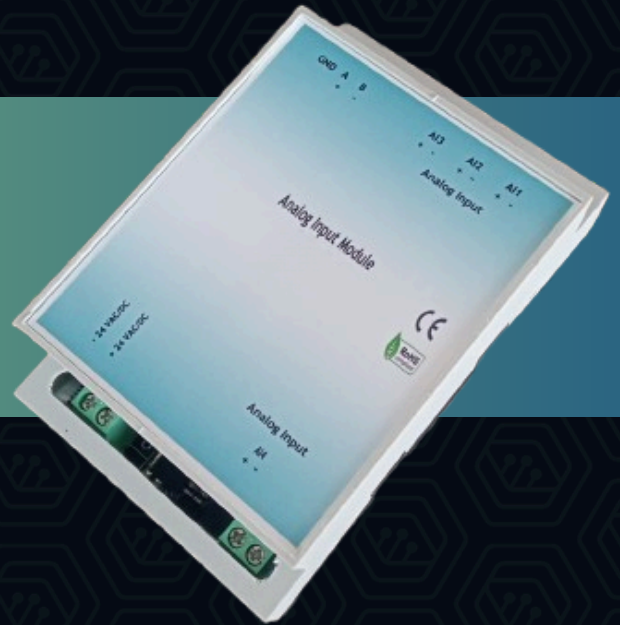


# BAEN-4AI

## EXTENSION IO MODULE

Processing Analog(NTC/0- 10VDC/4-20ma)/Digital Input Signal  
 Easy integration of I/Osystem in on-site processes. Customer specific configuration of I/O-module onrequest (inputs and/or outputs).Modbus RS-485 protocol interface



### TECHNICAL SPECIFICATION

- Analog Input: NTC/0-10V / 12 bit ADC
- Communication: Modbus RS485
- Operating Temp: 0-50 DegC
- Operating Humidity: 0-95% RH
- Mounting : Dinrail
- Dimension:110 x 100x 60mm
- Casing: ABS

### EASY TO USE:

Since Modules are Modbus RS485 Communication ,so this Module can be used as Extension module and above Application system can be easily integarted

### SYSTEM ARCHITECTURE (BMSDDCBAEN-4AI)



AHU SA/RA Temp,CHW Temp/ A/M/ELEC Volt Free Sts/System Command

### APPLICATION:

- AHU SA/RA Temp,CHW Temp

### SYSTEM REQUIREMENTS

- IO Modules can be commisioned using Modbus Master (Modscan) via serial or BMSENCPU2PG1 via IP without programming knowlegde.
- **Mounting:** DIN RAIL
- **Operating Voltage:** 24 V AC/DC
- Modscan or Modbus Master Utility Software for Commissioning
- USB to RS485 or Modbus Gateway/Modbus Master for Integrating IO Module

### TECHNICAL FEATURES:

- No Configuration required
- Easily Integration to BMSENCPU2PG1 or any Third party Modbus Master

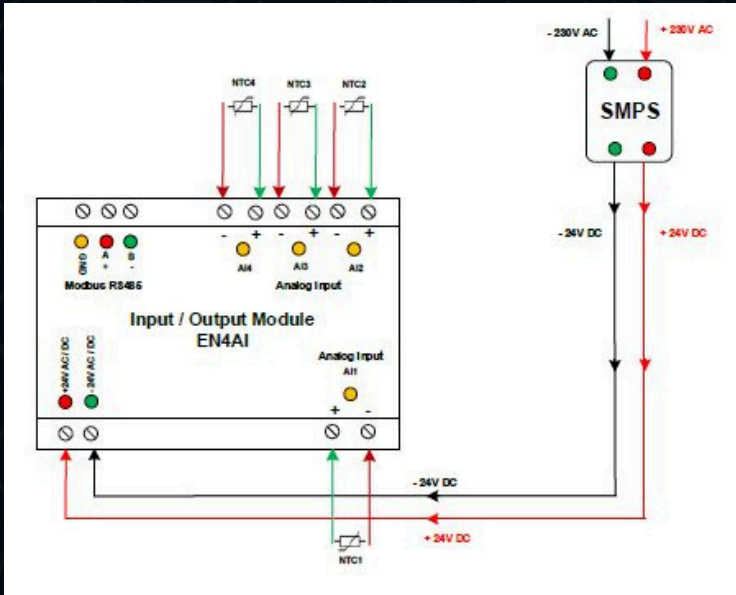
### ZERO MINIMAL DOWN TIME:

- Incase of failure of IO Module, We can replace IO module on immediate , System can be retained without any additional proqraming skill.

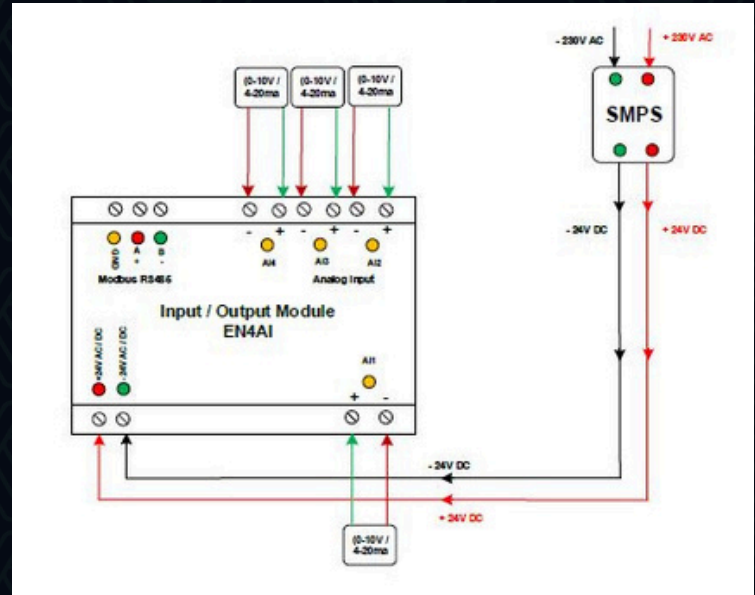
### TURNKEY SOLUTION :

- Modules are modular concept, We can able to design and multiply turnkey projects using this modular IO Modules.

## BAEN-4AI - NTC WIRING DIAGRAM



## BAEN-4AI - (0-10V DC/ 4-20MA) WIRING DIAGRAM



### 4AI ADDRESS DETAILS

S.No	I/O Points	Modbus Address	Modbus Type
1	AI-1 (0-10V DC) / (4-20ma)	40002	HOLDING REGISTER
2	AI-2 (0-10V DC) / (4-20ma)	40003	HOLDING REGISTER
3	AI-3 (0-10V DC) / (4-20ma)	40004	HOLDING REGISTER
4	AI-4 (0-10V DC) / (4-20ma)	40005	HOLDING REGISTER
5	AI-1 (NTC)	40006	HOLDING REGISTER
6	AI-2 (NTC)	40007	HOLDING REGISTER
7	AI-3 (NTC)	40008	HOLDING REGISTER
8	AI-4 (NTC)	40009	HOLDING REGISTER

### SERVICES AVAILABLE

- TECHNICAL SUPPORT
- INSTALLATION AND SETUP
- MAINTENANCE
- APPLICATION SUPPORT
- HARDWARE SUPPORT
- WARRANTY

### APPROVAL

CE, ROHS



info@omniwot.com

support@omniwot.com

+91 75502 28044

OMNIWOT.COM

### Head Office:

OmniWOT Technologies Private Limited, 103, Tower 5, L&T Raintree Boulevard Bellary Road, Byatarayanapura, Bengaluru - 560092, India.

### Experience Center :

OmniWOT Technologies Pvt Ltd, Suite 102, 1st Floor, 156/B Muthu Plaza, Sangam Street, Sundarapuram, Coimbatore-641024, Tamil Nadu, India.