

BAEN-4DDAM

EXTENSION IO MODULE

Processing Analog(NTC/0- 10VDC/4-20ma)/Digital Input/Digital Output Signal

Easy integration of I/Osystem in on-site processes. Customer specific configuration of I/O-module onrequest (inputs and/or outputs).Modbus RS-485 protocol interface



TECHNICAL SPECIFICATION

- Digital Input: Volt Free Contact
- Digital Output: 230V,3 A Relay Output
- Analog Input: NTC/0-10V / 12 bit ADC
- Communication: Modbus RS485
- Operating Temp: 0-50 DegC
- Operating Humidity: 0-95% RH
- Mounting : Dinrail
- Dimension:110 x 100x 60mm
- Casing: ABS

SYSTEM ARCHITECTURE (BMSDDC BAEN-4DDAM)



AHU SA/RA Temp,CHW Temp/ A/M/ELEC Volt Free Sts/System Command

SYSTEM REQUIREMENTS

- IO Modules can be commissioned using Modbus Master (Modscan) via serial or BMS ENCPU3PG1 via IP without programming knowledge.
- **Mounting:** DIN RAIL
- **Operating Voltage:** 24 V AC/DC
- Modscan or Modbus Master Utility Software for Commissioning
- USB to RS485 or Modbus Gateway/Modbus Master for Integrating IO Module

APPLICATION:

- AHU SA/RA Temp,CHW Temp
- AHU/FCU/Chiller A/M,Run/Trip/Filter Sts
- AHU/FCU/CHILLER COMMAND

EASY TO USE:

Since Modules are Modbus RS485 Communication ,so this Module can be used as Extension module and above Application system can be easily integrated

TECHNICAL FEATURES:

- No Configuration required
- Easily Integration to BMS ENCPU2PG1 or any Third party Modbus Master

Zero Minimal Down Time:

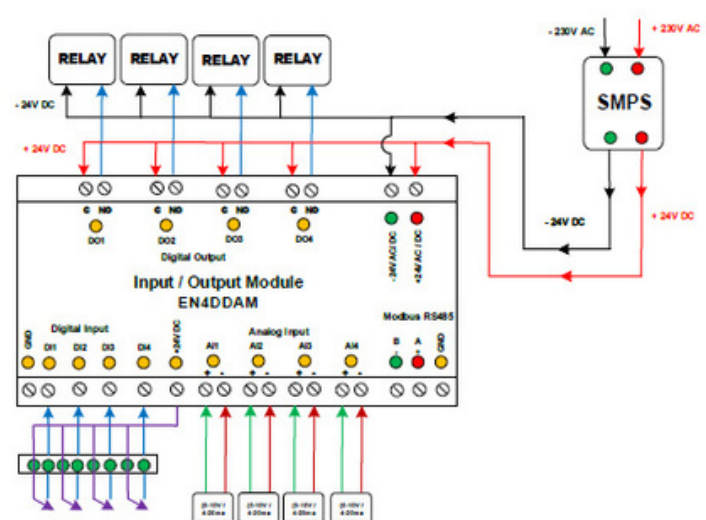
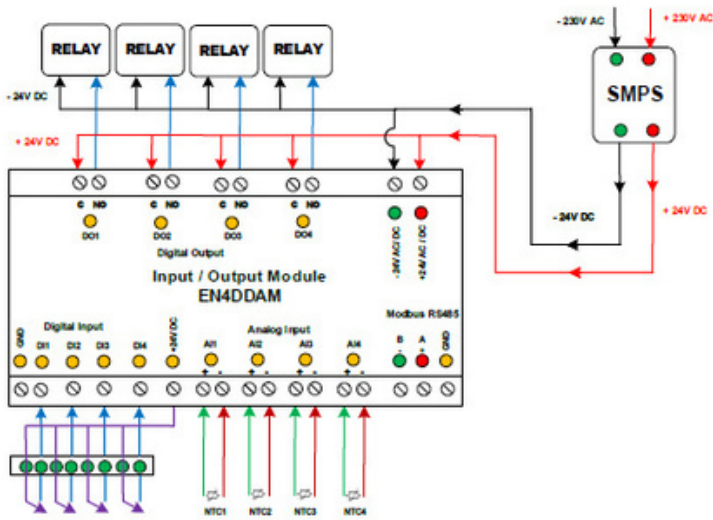
- In case of failure of IO Module, We can replace IO module on immediate , System can be retained without any additional programming skill.

Turnkey Solution :

- Modules are modular concept, We can able to design and multiply turnkey projects using this modular IO Modules.

BAEN-4DDAM - NTC Wiring Diagram

BAEN-4DDAM - (0-10V / 4-20ma) Wiring Diagram



WHY CHOOSE US

We have the solution for you! By featuring seamless and adaptive, vendor-neutral, open-protocol solutions in building automation, be it for maintenance, retrofits or upgrades.

BAEN- 4DDAM Address Details

S.No	I/O Points	Modbus Address	Modbus Type
1	DI-1	10001	INPUT STATUS
2	DI-2	10002	INPUT STATUS
3	DI-3	10003	INPUT STATUS
4	DI-4	10004	INPUT STATUS
5	DO-1	5	COIL STATUS
6	DO-2	6	COIL STATUS
7	DO-3	7	COIL STATUS
8	DO-4	8	COIL STATUS
9	AI-1 (0-10V DC) / (4-20ma)	40002	HOLDING REGISTER
10	AI-2 (0-10V DC) / (4-20ma)	40003	HOLDING REGISTER
11	AI-3 (0-10V DC) / (4-20ma)	40004	HOLDING REGISTER
12	AI-4 (0-10V DC) / (4-20ma)	40005	HOLDING REGISTER
13	AI-1 (NTC)	40006	HOLDING REGISTER
14	AI-2 (NTC)	40007	HOLDING REGISTER
15	AI-3 (NTC)	40008	HOLDING REGISTER
16	AI-4 (NTC)	40009	HOLDING REGISTER

SERVICES AVAILABLE

- TECHNICAL SUPPORT
- INSTALLATION AND SETUP
- MAINTENANCE
- APPLICATION SUPPORT
- HARDWARE SUPPORT
- WARRANTY

APPROVAL

CE, RoHS



info@omniwot.com

support@omniwot.com

+91 75502 28044

OMNIWOT.COM

Head Office:

OmniWOT Technologies Private Limited, 103, Tower 5, L&T Raintree Boulevard Bellary Road, Byatarayanapura, Bengaluru - 560092, India.

Experience Center :

OmniWOT Technologies Pvt Ltd, Suite 102, 1st Floor, 156/B Muthu Plaza, Sangam Street, Sundarapuram, Coimbatore-641024, Tamil Nadu, India.