

# BAEN-AIAO

## EXTENSION IO MODULE

Modbus RS485 Multiple Baud Rate Options Easy Multiplication Processing Analog Signal. Easy integration of I/O-system in on-site processes. Customer specific configuration of I/O-module onrequest (inputs and/or outputs). Modbus RS-485 protocol interface



### TECHNICAL SPECIFICATION

- Analog Input: 0-10 V DC or 4-20ma
- Analog Output: 0-10V DC
- Communication: Modbus RS485
- Operating Temp: 0-50 DegC
- Operating Humidity: 0-95% RH
- Mounting : Dinrail
- Dimension:110 x 70x 70mm
- Casing: ABS

### Application:

- AHU VFD Speed Control/Feedback
- AHU Valve Speed Control/Feedback
- PUMP VFD Speed Control/Feedback
- Modulating Damper Control/Feedback

### EASY TO USE:

- Since Modules are Modbus RS485 Communication ,so this Module can be used as Extension module and above Application system can be easily integarted

### SYSTEM ARCHITECTURE (BMSDDCENIAIAO)



### SYSTEM REQUIREMENTS

- IO Modules can be commissioned using Modbus Master (Modscan) via BMS ENCPU2PG1 via IP without programming knowledge
- **Mounting:** DIN RAIL
- **Operating Voltage:** 24 V AC/DC
- Modscan or Modbus Master Utility Software for Commissioning
- USB to RS485 or Modbus Gateway/Modbus Master for Integrating IO M



### Technical Features:

- No Configuration required
- Easily Integration to BMS ENCPU2PG1 or any Third party Modbus Master

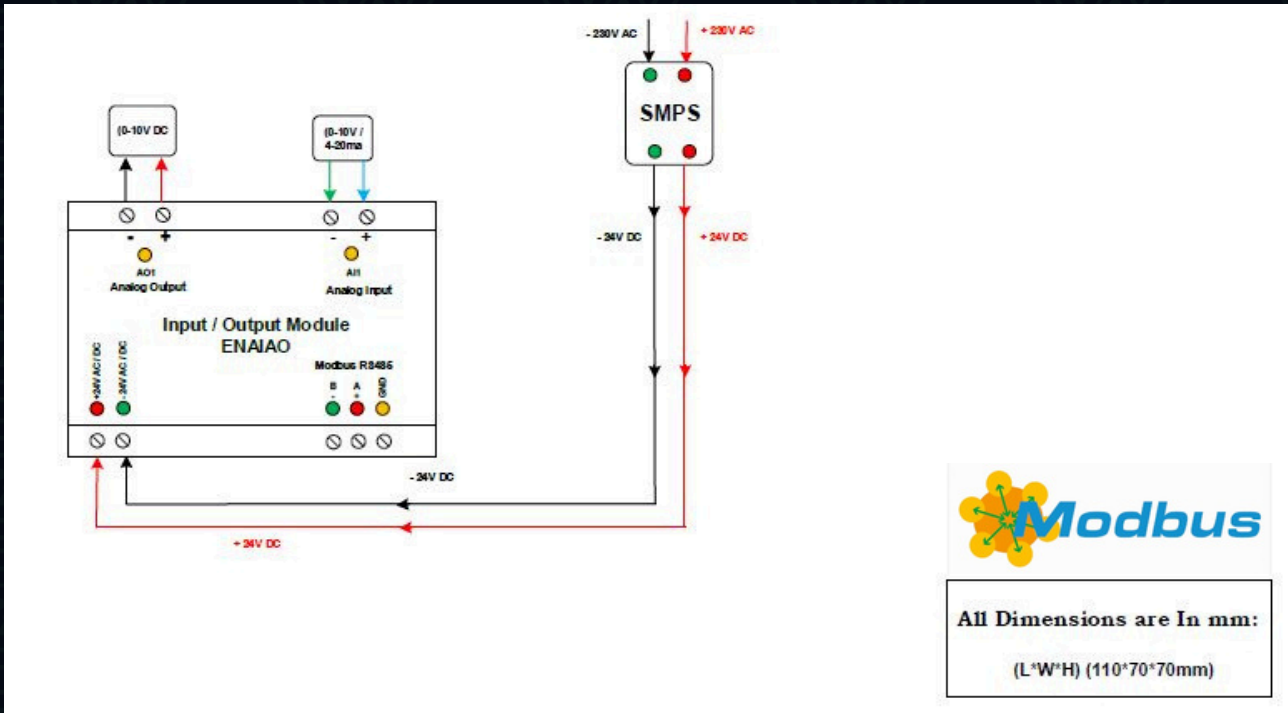
### Zero Minimal Down Time:

- Incase of failure of IO Module, We can replace IO module on immediate , System can be retained without any additional programing skill.

### Turnkey Solution :

- Modules are modular concept, We can able to design and multiply turnkey projects using this modular IO Modules.

## WIRING DIAGRAM BAEN-AIAO



## WHY CHOOSE US

We have the solution for you! By featuring seamless and adaptive, vendor-neutral, open-protocol solutions in building automation, be it for maintenance, retrofits or upgrades.

## 1A1IAO ADDRESS DETAILS

S.No	I/O Points	Modbus Address	Modbus Type
1	AI-1 (0-10V DC) / (4-20ma)	40001	HOLDING REGISTER
2	AO-1 (0-10V DC)	40004	HOLDING REGISTER

## SERVICES AVAILABLE

- TECHNICAL SUPPORT
- INSTALLATION AND SETUP
- MAINTENANCE
- APPLICATION SUPPORT
- HARDWARE SUPPORT
- WARRANTY

## APPROVAL

CE, ROHS



info@omniwot.com

support@omniwot.com

+91 75502 28044

OMNIWOT.COM

### Head Office:

OmniWOT Technologies Private Limited, 103, Tower 5, L&T Raintree Boulevard Bellary Road, Byatarayanapura, Bengaluru - 560092, India.

### Experience Center :

OmniWOT Technologies Pvt Ltd, Suite 102, 1st Floor, 156/B Muthu Plaza, Sangam Street, Sundarapuram, Coimbatore-641024, Tamil Nadu, India.